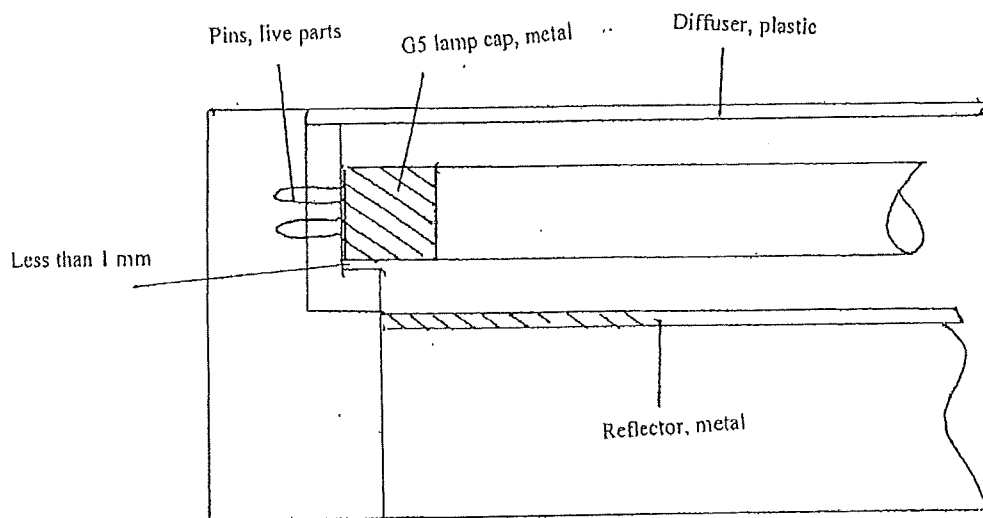


OSM/LUM DSH 0914B 2019 - Figure



Distances:

Pins - metal shell:

$\geq 1,5$ mm according to 7004-52-2

Metal shell - metallic reflector:

about 2 mm

Total between live parts and accessible metal:

about 3,5 mm

Required:

basic + supplementary or double/reinforced insulation